

Illustration - Type - E

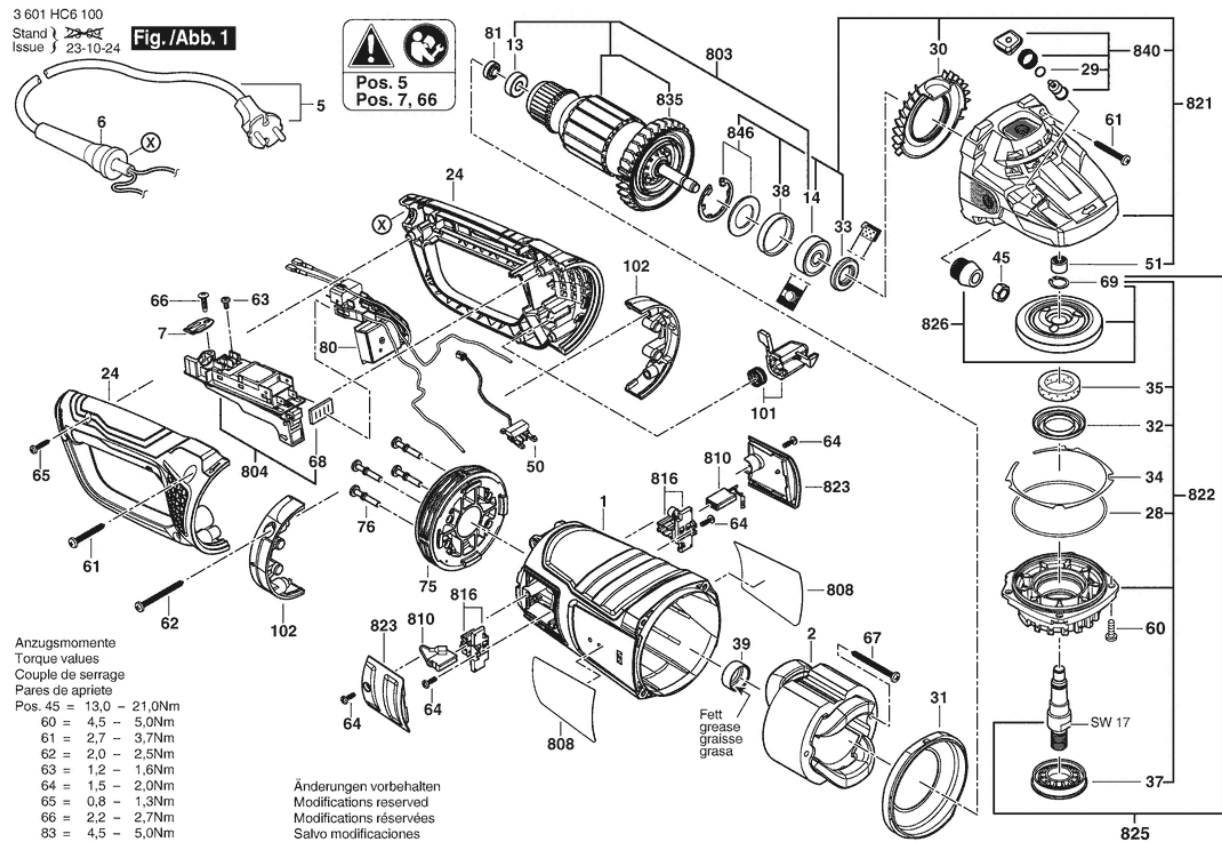
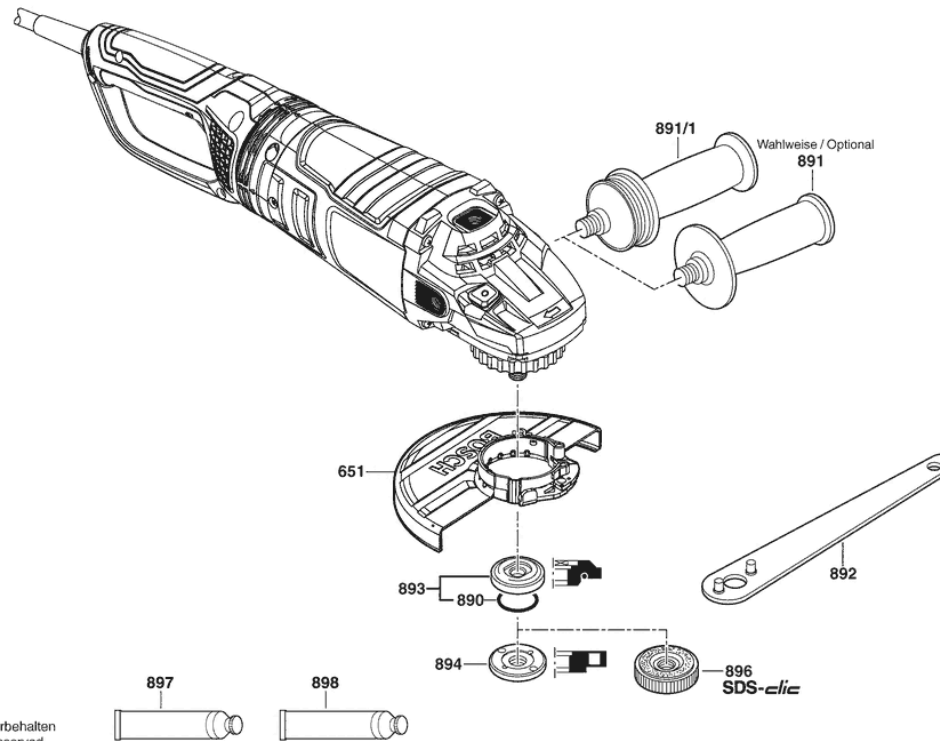


Illustration - Type - E

3 601 HC6 100
Stand } 23-09-22
Issue } **Fig./Abb. 2**



Änderungen vorbehalten
Modifications reserved
Modifications réservées
Salvo modificaciones

Spare parts list

Item	Part Number	Description	Illustration
1	1 619 P15 457	Motor Housing	1
2	1 619 P17 831	Field	1
5	1 604 460 126	Power supply cord EU 4,15M 2 X 1,5MM H07 RN-F	1
6	1 619 P14 369	Grommet	1
7	1 601 302 018	Fastening Clamp	1
13	1 600 905 011	groove ball bearing 8X22X7	1
14	1 600 905 028	groove ball bearing	1
24	1 619 P17 065	Handle	1
28	1 600 210 033	O-Ring 79,0X1,78 MM	1
29	1 600 210 045	O-Ring 8,0X1,0 MM	1
30	1 619 P15 274	Air Distributor	1
31	1 619 P17 066	Air-Deflector Ring	1
32	1 600 290 019	Retaining snap ring	1
33	1 600 290 013	Rotary shaft lip seal 18,7 MM RED	1
34	1 600 190 020	Shim 0,15 MM THICK	1
34	1 600 190 021	Shim 0,3 MM THICK	1
34	1 600 190 022	Shim 0,1 MM THICK	1
34	1 600 190 037	Shim 0,2 MM THICK	1
34	1 600 190 038	Shim 0,25 MM THICK	1
34	1 600 190 039	Shim 0,35 MM THICK	1
34	1 600 190 040	Shim 0,4 MM THICK	1
35	1 600 205 034	Felt Washer	1
37	1 600 290 036	Seal Ring BLACK	1
38	1 600 206 020	Rubber Ring 7 MM WIDE	1
39	1 600 206 030	Rubber Ring	1
45	1 603 300 019	Hex Nut M10, SW14	1
50	1 619 P17 064	Rotational Speed Sensor	1
51	2 600 910 001	Needle-Roller Bearing Ø14 MM	1
60	1 603 435 023	Thread-forming tap. Screw TT M5X18 MM	1
61	2 912 401 038	Tapping Screw DIN 7981-4,8X38-C-Z-ST	1
62	1 603 435 060	Tapping Screw 4,8X55	1
63	1 603 410 014	Pan head screw M4X10 MM	1
64	1 603 435 042	Plastic-Cutting Screw ST3,9X12	1

Spare parts list

Item	Part Number	Description	Illustration
65	2 912 401 020	Tapping Screw DIN 7981-3,9X19-C-Z-ST	1
66	2 910 211 019	Tapping Screw DIN 7971-ST3,9X16-F	1
67	1 603 435 024	Tapping Screw C4,8X63 MM	1
68	1 601 006 011	Sealing Plate	1
69	2 916 650 905	Spring retaining ring	1
75	1 619 P17 360	Damper	1
76	1 619 P17 837	Collar Screw	1
80	1 607 233 5R9	Speed governor	1
81	1 616 B10 375	Magnet	1
101	1 619 P17 357	Button	1
102	1 619 P17 355	Cap	1
803	1 619 P18 630	Armature	1
804	1 619 P18 632	Switch	1
808	1 619 P18 639	Label	1
810	1 607 014 171	Carbon-Brush Set	1
816	1 604 336 048	Brush Holder	1
821	1 619 P15 750	Gear Housing	1
822	1 619 P17 220	Bearing Flange Ø180 MM	1
823	1 619 P15 945	Sealing cap	1
825	1 619 P15 297	Grinding Spindle	1
826	1 619 P15 405	Bevel Gear Set Ø180 MM	1
835	1 600 A00 J93	Fan	1
840	1 619 P15 752	Push-Button	1
846	1 607 000 342	Retaining Washer	1
651	1 600 A01 R95	Protective Cover Ø180 MM	2
890	1 600 210 039	O-Ring 20,35X1,78 MM	2
891	1 602 025 0A1	Auxiliary Handle	2
891/1	1 602 025 09Z	Auxiliary Handle	2
892	1 607 950 061	Pin-Type Face-Wrench	2
893	2 605 703 014	Clamping Flange Ø22,3XØ42 MM	2
894	1 603 345 043	Round Nut M14	2
896	1 600 A01 6PP	Fast Locking Flange	2
897	1 605 430 003	Grease Tube 225 ML	2
898	1 615 430 020	Grease Tube 225 ML	2